

ZMW Series

Mini Size Snap-acting Switches



Description

ZMW series mini size snap-acting switches are often found used in automotive. Featuring a compact size (which is ideal when space is limited) and a reliable snap-acting mechanism, the ZMW series give applications with adequate long stroke requirement, ensuring they stand up to repeated use.

Features & Benefits

- Long & adequate stroke setting for high reliability & insulation
- Silent actuation for reduced audible click
- Compact size – ideal when space is limited
- Twin contacts design – sliding contacts prevent pollution of foreign materials
- IP67 for standalone switch except the metal terminal part; Full IP67 protection when potted with wire version
- RoHS compatible & compliant

Specifications

Contact Rating	100mA 30VDC @ 300,000 cycles min. 50mA 16VDC @ 500,000 cycles min. 1mA 5VDC @ 500,000 cycles min.
Mechanical Life	500,000 cycles min.
Insulation Resistance	100 M ohm min.
Dielectric Strength	Min. 600VAC (50-60Hz)/minute between Live Parts
Operating Temperature	-40°C to 85°C
Operating Force	150 gf max.

Applications

- Industrial
- Home appliances
- Automotive: door latch, seat position detection, EV charging

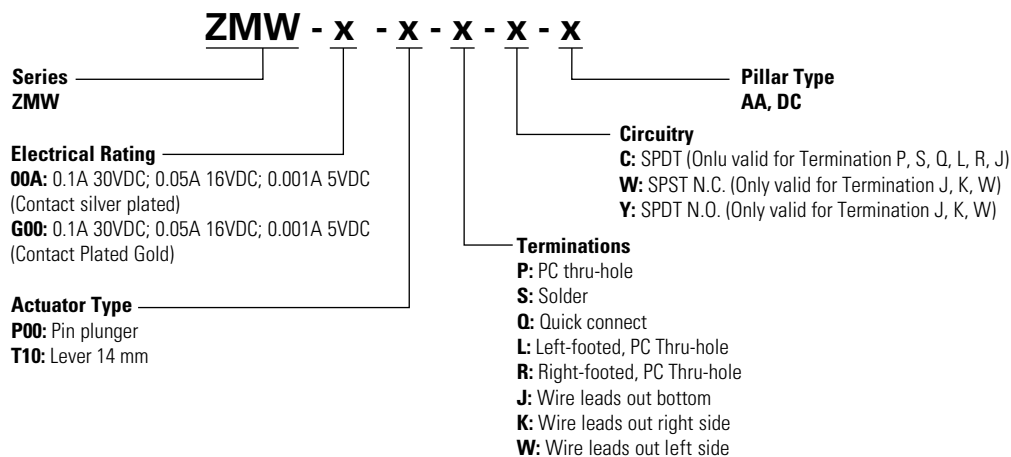
Materials

Case	Nylon
Cover	PBT
Actuator Button	POM
Movable Contact	Silver alloy or gold plated
Stationary Contacts	
Terminals	Brass, silver plated.

Notes: Specifications and materials listed above are for switches with standard options. For information on specific and custom switches, consult Customer Service Center. Sealing cap could possibly be damaged in case of contacts with oils or greases. Please try to avoid direct contact. If more support is needed, consult Customer Service Center.

Ordering Number

Our easy build-a-switch concept allows you to mix and match options to create the switch you need. To order, select desired option from each category and place it in the appropriate box.



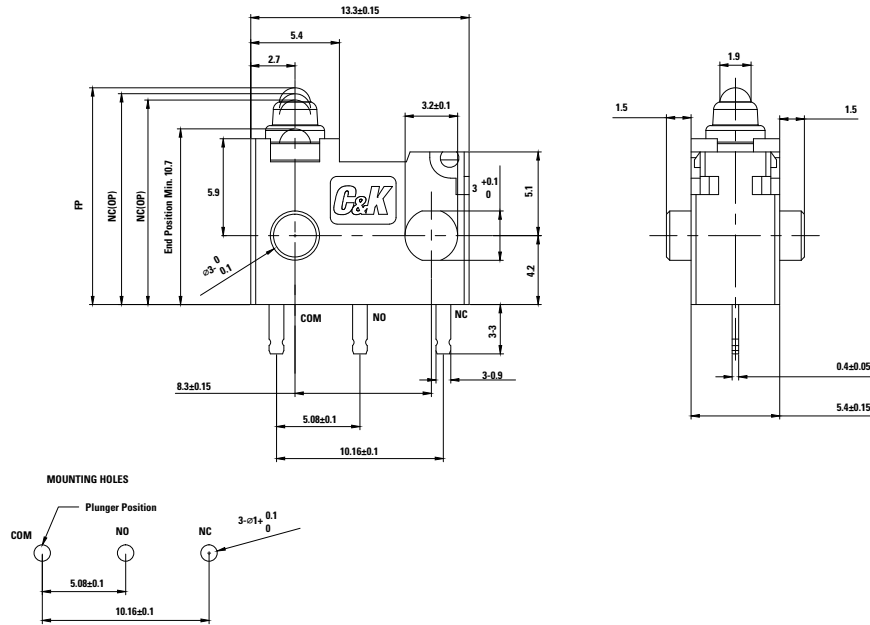
ZMW Series

Mini Size Snap-acting Switches



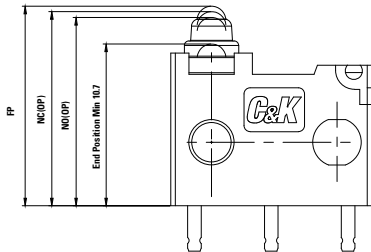
Series

ZMW Mini Size Snap-Acting Switches

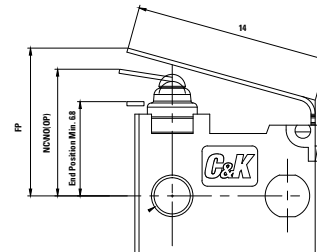


Actuator Type

P00 Pin Plunger

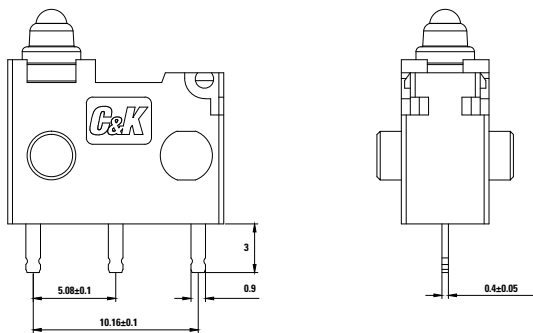


T10 Lever 14 mm

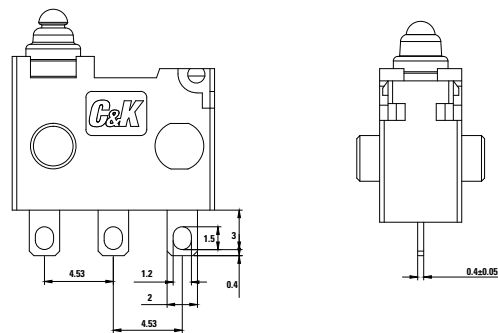


Terminations

P PC thru-hole



S Solder

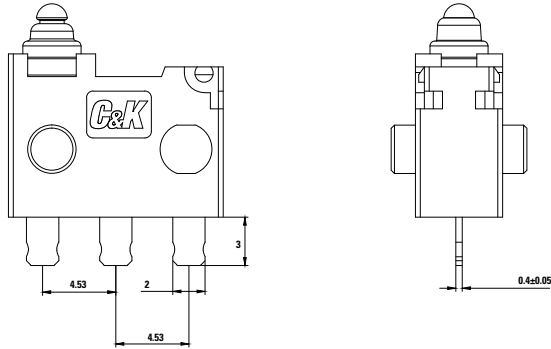


ZMW Series

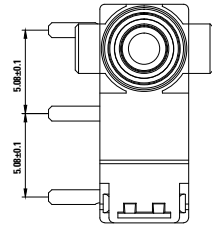
Mini Size Snap-acting Switches



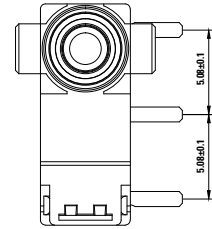
Q Quick Connect



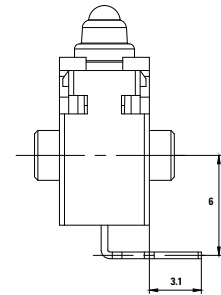
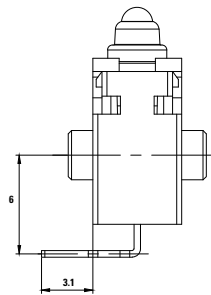
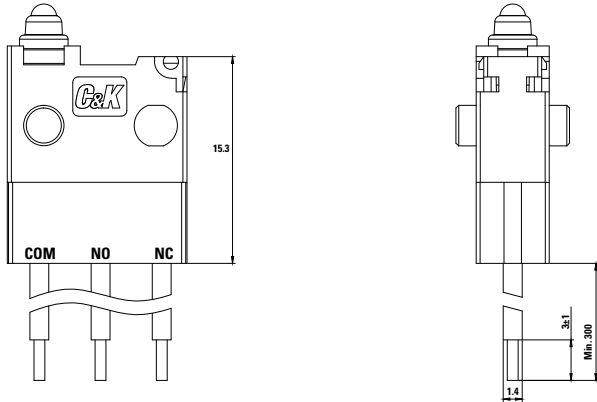
L Left-Footed, PC Thru-hole



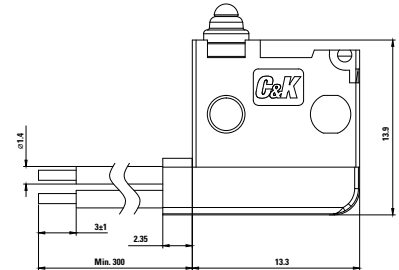
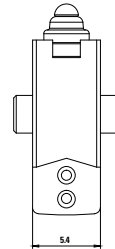
R Right-Footed, PC Thru-hole



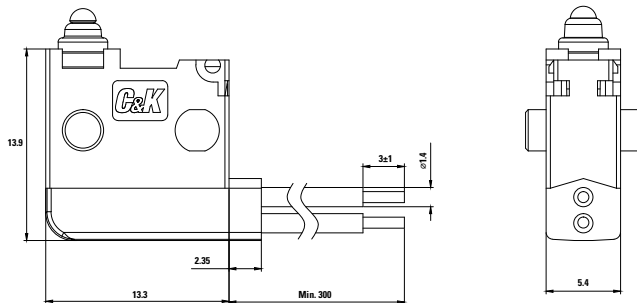
J Wire Leads Out Bottom



W Wire Leads out Left Side



K Wire Lead Out Right Side



COM: avss 0.3 mm² black or equivalent
NO: avss 0.3 mm² blue or equivalent
NC: avss 0.3 mm² gray or equivalent

ZMW Series

Mini Size Snap-acting Switches



Switch Characteristics

Switch Type	Part Suffix	OF Max. (gf)	FP Max. (mm)	NC-OP (mm)	NO-OP (mm)	NC-OT Min. (mm)	NO-OT Min. (mm)	
ZMWXXXP00XXXX		S	153	13.4	12.9 ± 0.3	12.6 ± 0.3	2.5	2.2
		S	153	9.2	8.7 ± 0.3	8.4 ± 0.3	2.5	2.2
ZMWXXXT10XXXX		S	185	15.7	14.0 ± 0.6	13.45 ± 0.6	3.0	2.45
		S	185	11.5	9.8 ± 0.6	9.25 ± 0.6	3.0	2.45

ZMW Series

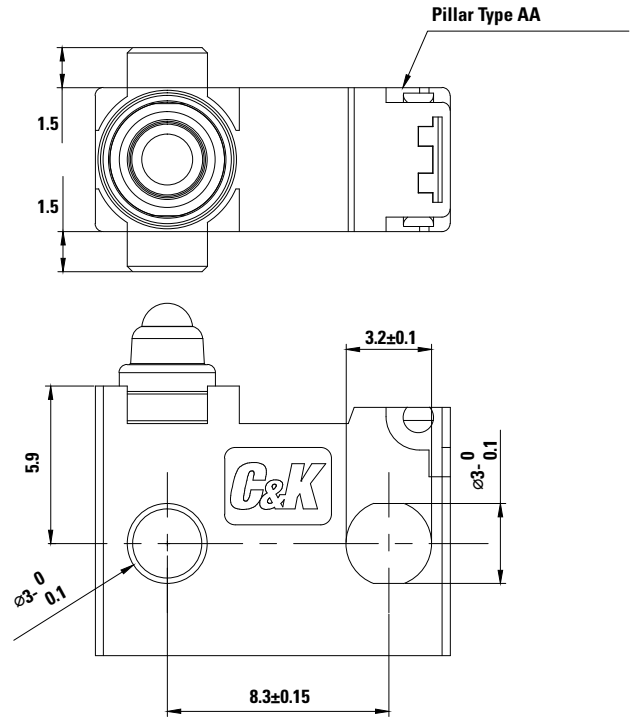
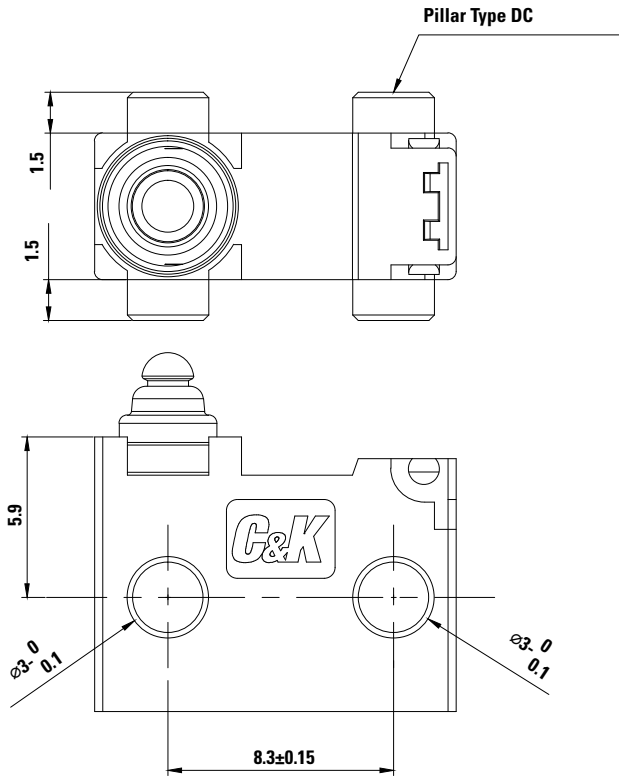
Mini Size Snap-acting Switches



Pillar Type

DC

AA



Disclaimer Notice - Information furnished is believed to be accurate and reliable. However, users should independently evaluate the suitability of and test each product selected for their own applications. Littelfuse products are not designed for, and may not be used in, all applications. Read complete Disclaimer Notice at <http://www.littelfuse.com/disclaimer-electronics>.